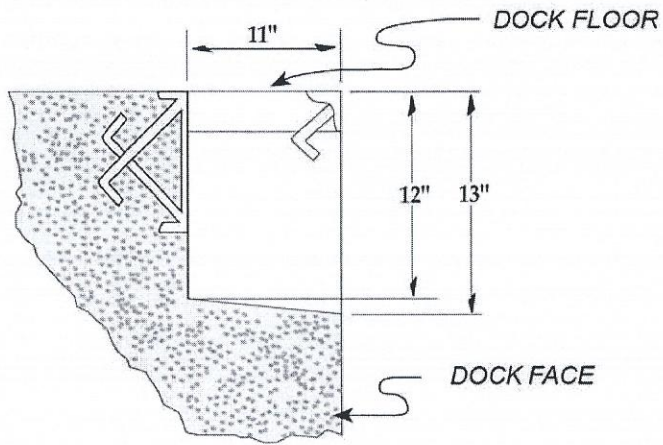
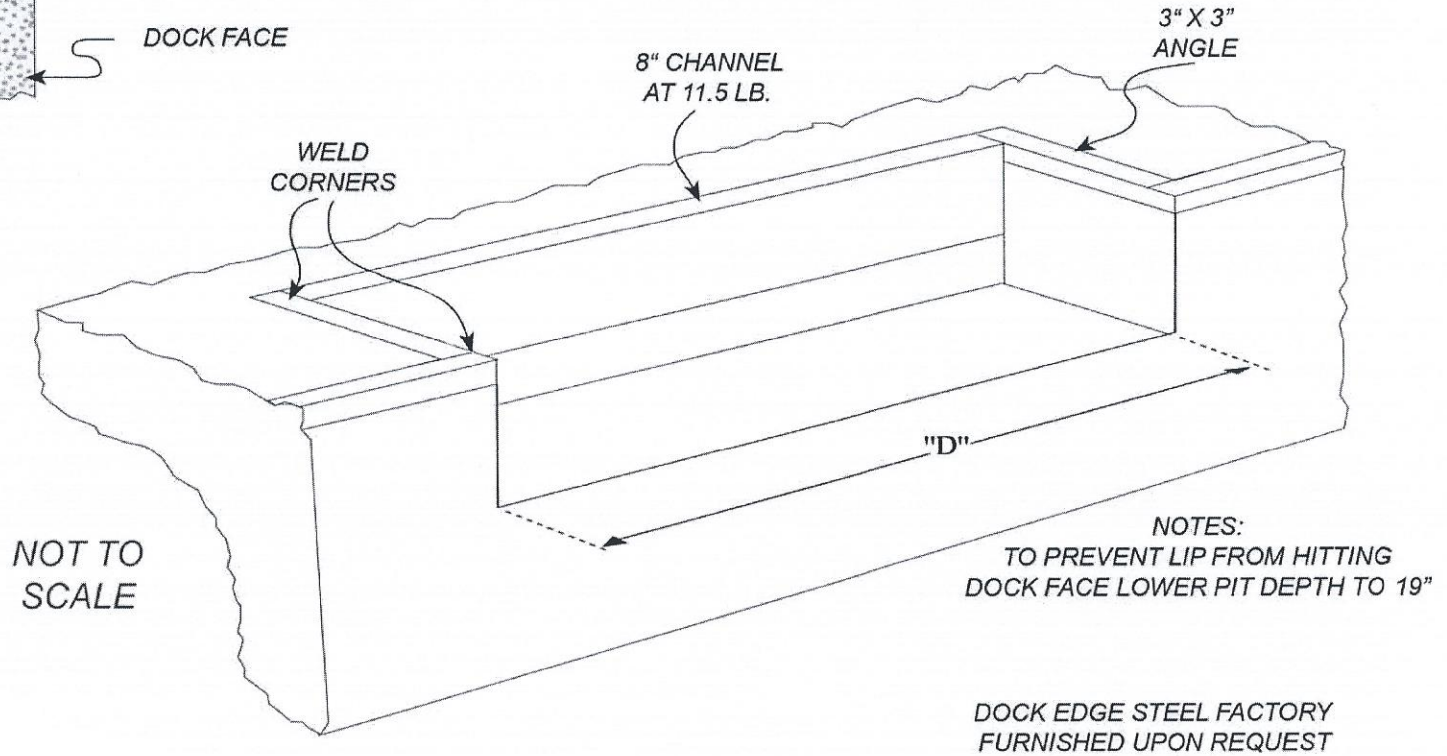


Recessed E.O.D. Submittal Drawing



| |
|---|
| MODEL ED66MR: D = 70" |
| MODEL ED72MR: D = 76" |
| MODEL ED78MR: D = 82" |
| MODEL ED84MR: D = 88" |
| <i>UNITS FURNISHED WITH 2 EA. LAMINATED BUMBERS</i> |



NOT TO SCALE

DOCK EDGE STEEL FACTORY
FURNISHED UPON REQUEST

JOB