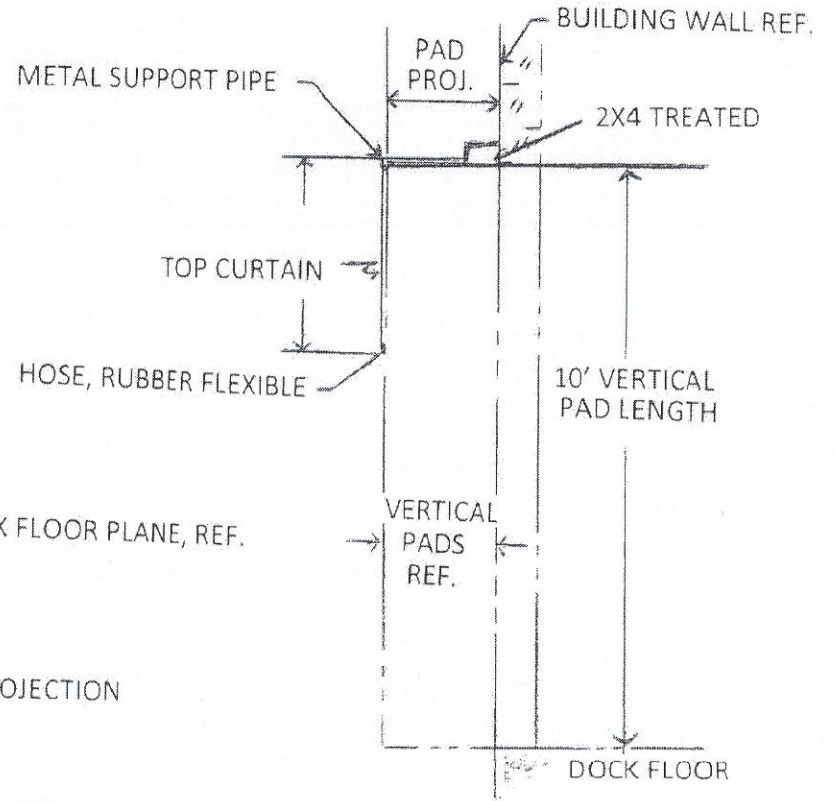
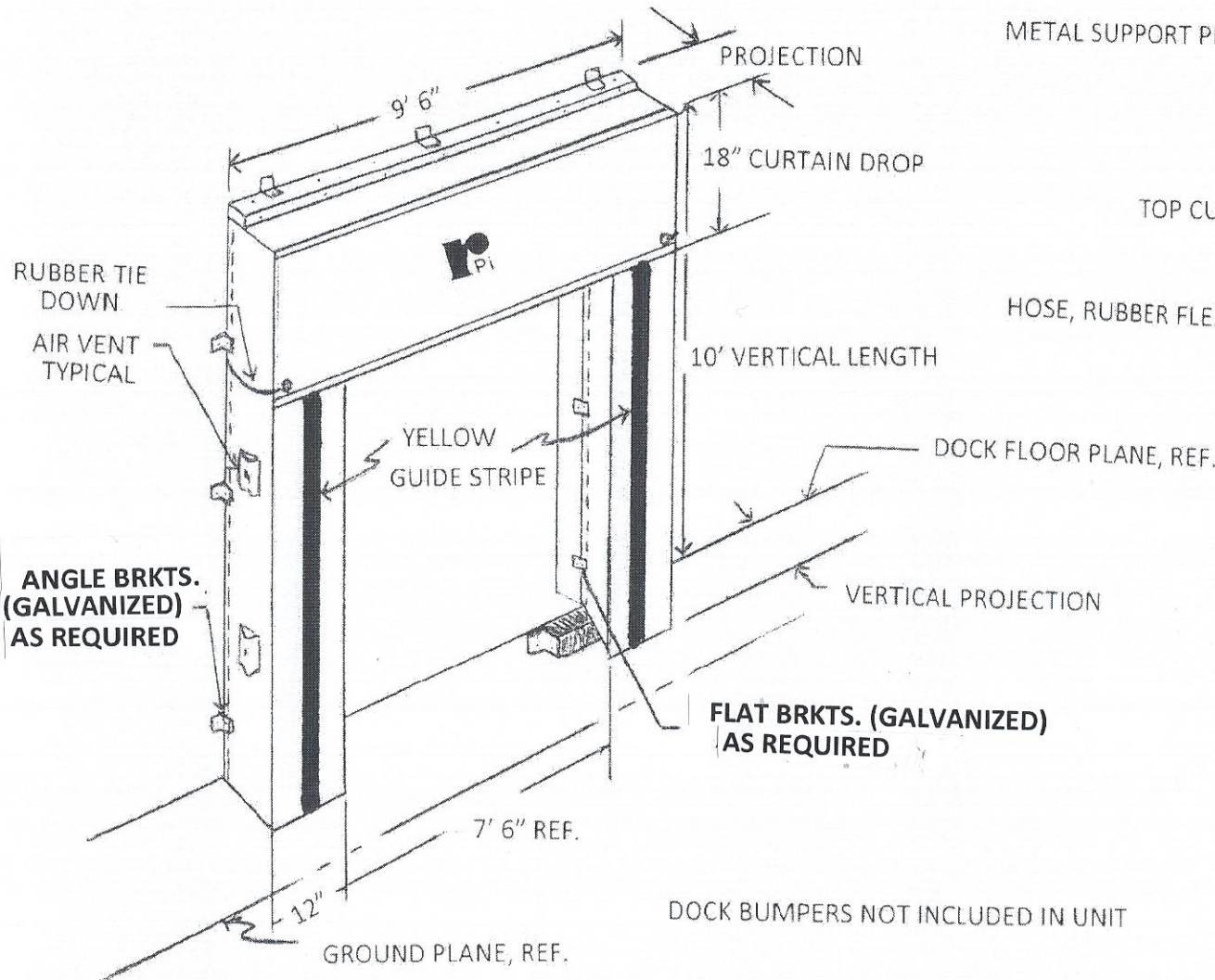


DOOR SIZE: 8'W X 10'H

COVER MATERIAL:



PARTIAL CROSS SECTION

DOCK BUMPERS NOT INCLUDED IN UNIT

MODEL NO: C _____ W MC
JOB NAME: _____
JOB NO: _____