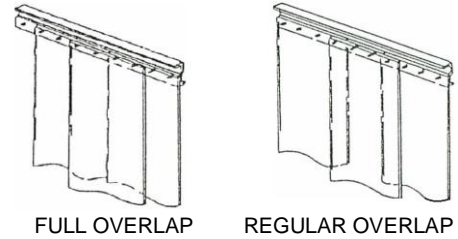
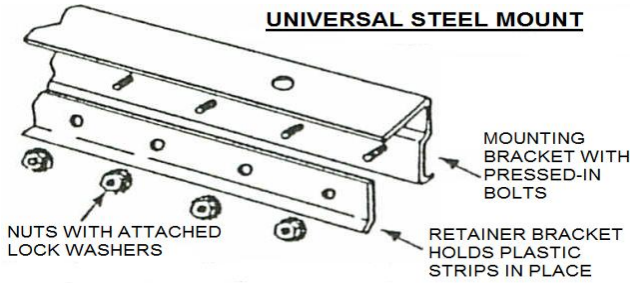
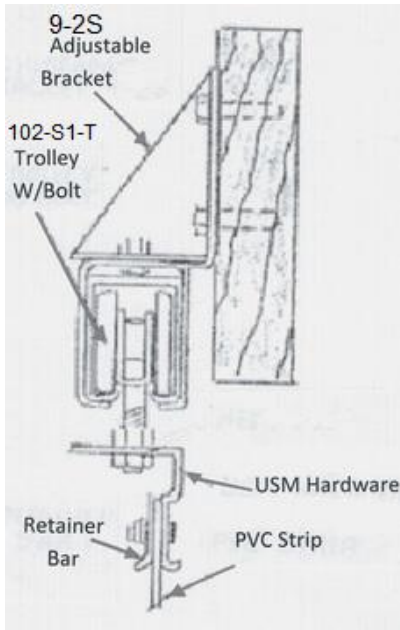


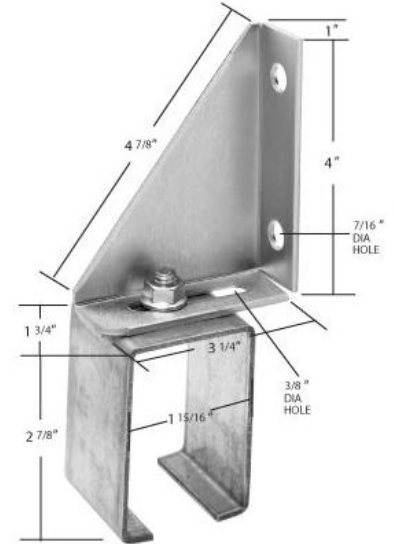
UNIVERSAL STEEL MOUNT SLIDING STRIP DOOR



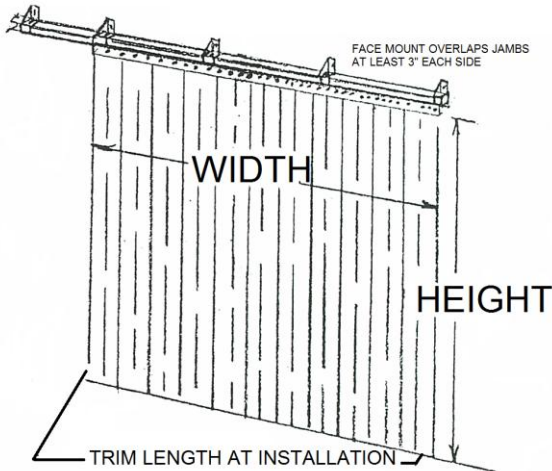
PLASTIC STRIP OVERLAPPING SEQUENCE



102-S1-T
 Vertically Adjustable Trolley
 Bolt is 1/2" x 3-1/2"
 with two hex nuts.



9-2S
 Adjustable Face Mount



DOOR SIZE: WIDTH: _____
 HEIGHT: _____

Universal Steel Mount Bracket is galvanized and has 1/4-inch x 1-inch studs permanently affixed on 2" centers. Strip Door comes preassembled in approximately _____ pieces.

OVERLAP OF PLASTIC STRIPS

STRIP WIDTH: _____

STRIP OVERLAP ON EACH SIDE: _____

PVC THICKNESS: _____

Standard Strip Material	Ribbed Strip Material
USDA (For Freezers and Coolers)	Other: _____

Offset Double-Ribbed material available for extreme wear resistance.



DISTRIBUTOR:	
CONTRACTOR:	
JOB:	
ARCHITECT:	
DRAWING #:	DATE: