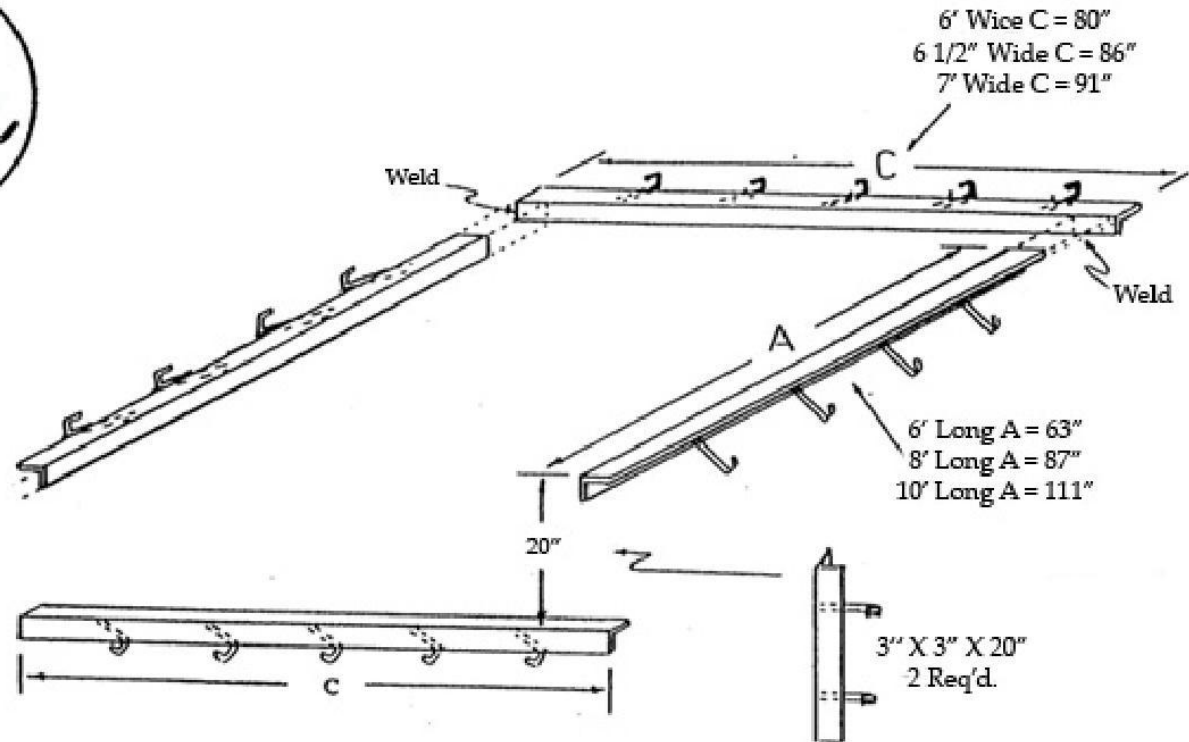
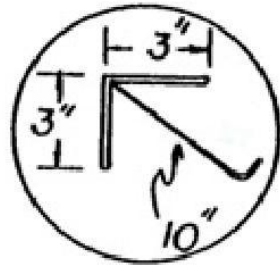


# Pit Leveler Curb Angle Kit Submittal Drawing



DOCK EDGE STEEL FACTORY  
FURNISHED UPON REQUEST

**Rotary Products Inc.**

202 East High St. PO Box 370 Ashley Ohio, 43003  
Phone #: 1-800-457-5251 Fax #: 740-747-2188



JOB \_\_\_\_\_