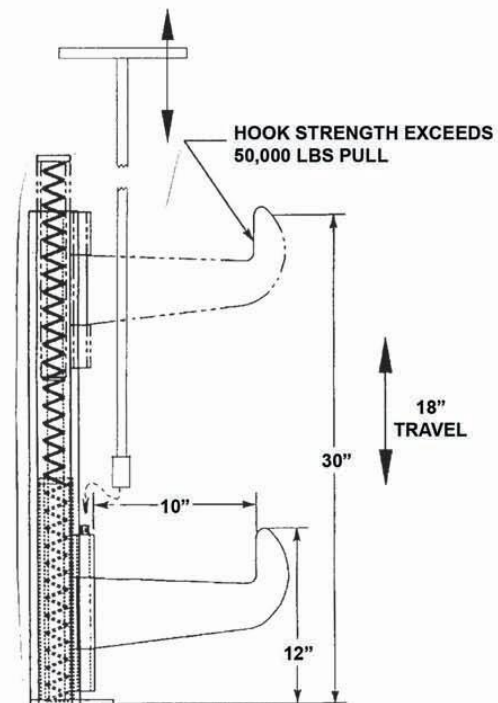
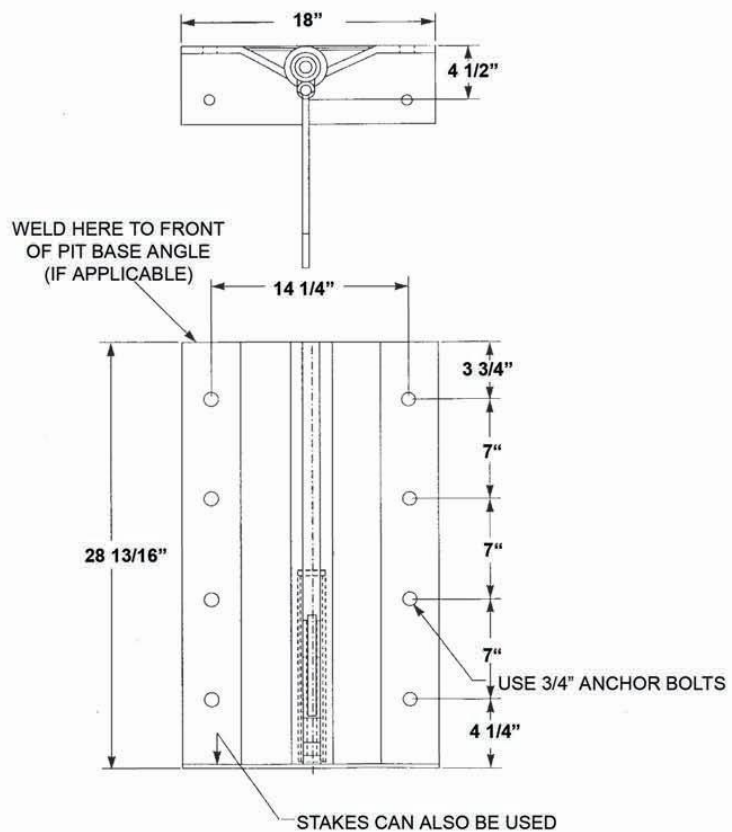


# “MVR” Series Mechanical Truck Restraint Detail



DRAWN: MVR	SIZE: B	FSCM NO. N/A	DRAWING NUMBER: MECTR	REV. A
ISSUED: J.M.G.	SCALE: 1/1	DATE: 5/2/96	SHEET: 1 of 3	
UNLESS OTHERWISE SPECIFIED: DIMENSIONS ARE IN INCHES TOLERANCES				
Inch Dimension	Decimal Dimension	Angles		
1/32"	.XX .05	.05°		
	.XXX .010			

**Rotary Products Inc.**

202 East High St. PO Box 370 Ashley Ohio, 43003  
Phone #: 1-800-457-5251 Fax #: 740-747-2188



JOB

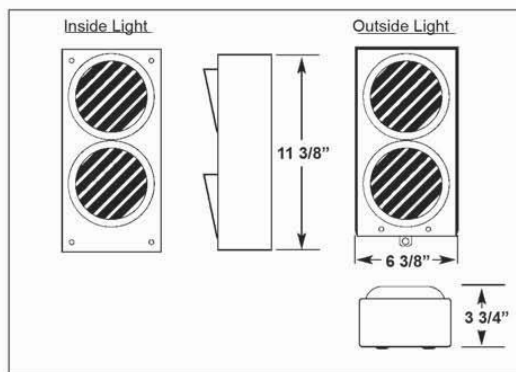
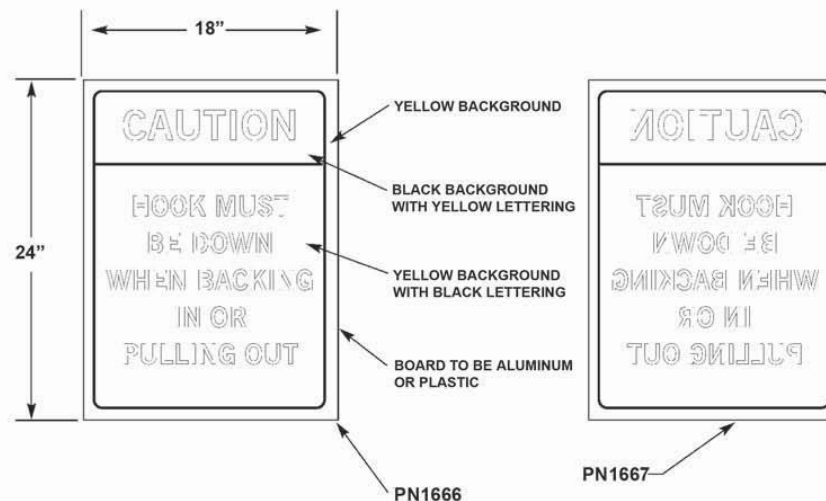
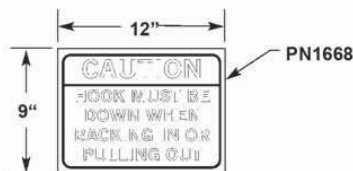
# "MVR" Series Mechanical Truck Restraint Submittal Drawing

## STANDARD FEATURES

- Semi-automatic unit provides in excess of 50,000 lbs. restraining force.
- Wide 12" - 30" operating range.
- Captures and holds all legal ICC bars
- Non-impacet operation - designed to meet 1998 ICC regulations.
- Positive contract hook automatically floats up or down with trailer.
- Exclusive pivoting hook allows for debris or snow removal within 4" of dock face.
- Bolt hole pattern designed for optional holding force.
- Low Maintenance.
- Complete inside/outside sign package included.
- Approximately one (1) hour installation time not including electrical wiring)

## OPTIONAL FEATURES

- Highly visible inside/outside manually operated light systems with safety signs.
- Automatic light system with safety signs.
- Steel mounting plate for new construction.
- Steel blockouts for bumper projections greater than 4" including edge-of-dock levelers.
- Template for pre-mounting attachment bolts.



## OPTIONAL DRIVER WARNING SIGNS FOR TRAFFIC DOCK LIGHT PACKAGE



**Rotary Products Inc.**

202 East High St. PO Box 370 Ashley Ohio, 43003  
Phone #: 1-800-457-5251 Fax #: 740-747-2188



JOB