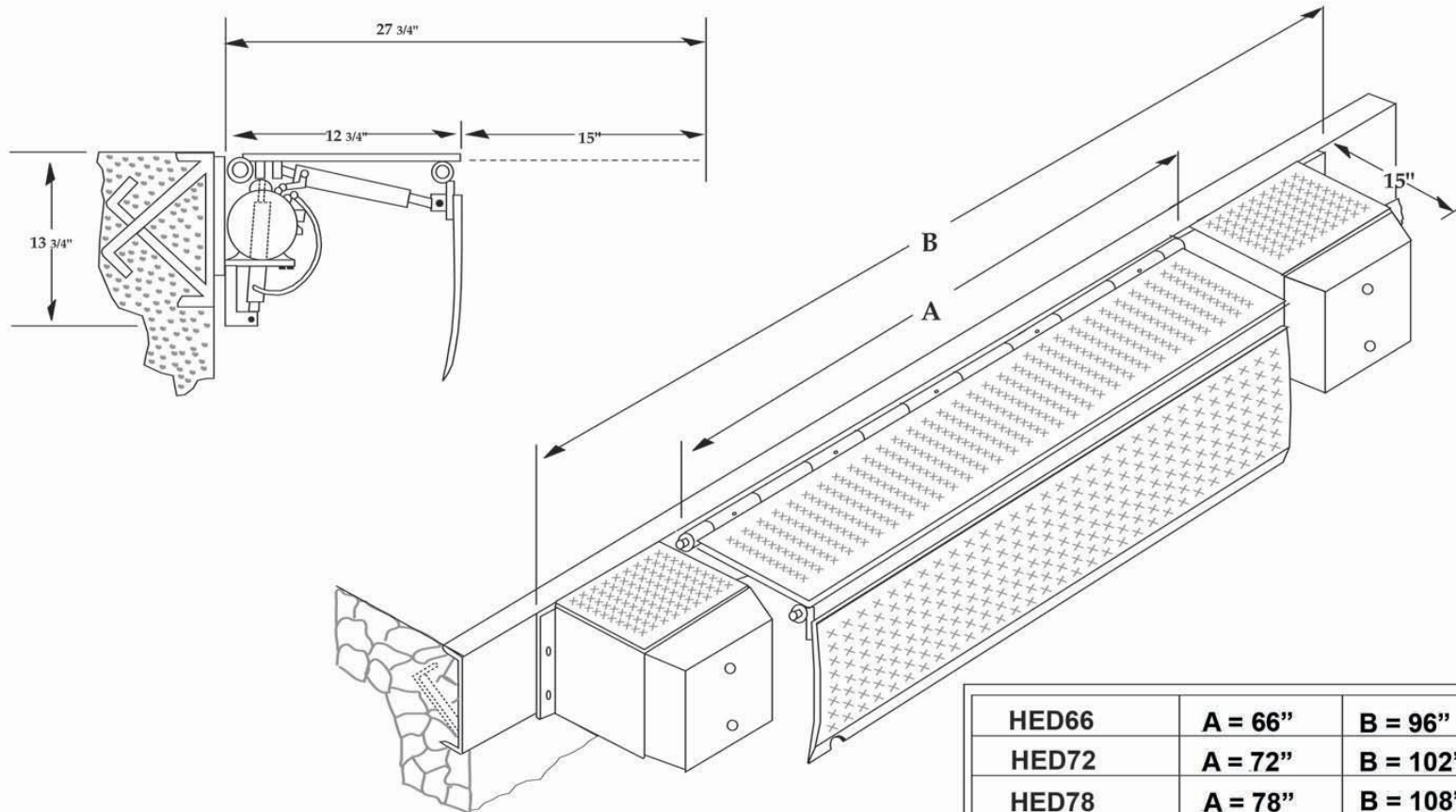


Hydraulic Edge of Dock Submittal Drawing



HED66	A = 66"	B = 96"
HED72	A = 72"	B = 102"
HED78	A = 78"	B = 108"
HED84	A = 84"	B = 114"
1/2 Hp. 1 ph. Std.	(3 ph. Opt.)	
20,25, and 30,000 lb capacities available		

Rotary Products Inc.

202 East High St. PO Box 370 Ashley Ohio, 43003
Phone #: 1-800-457-5251 Fax #: 740-747-2188



JOB