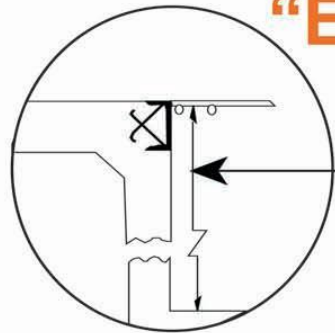
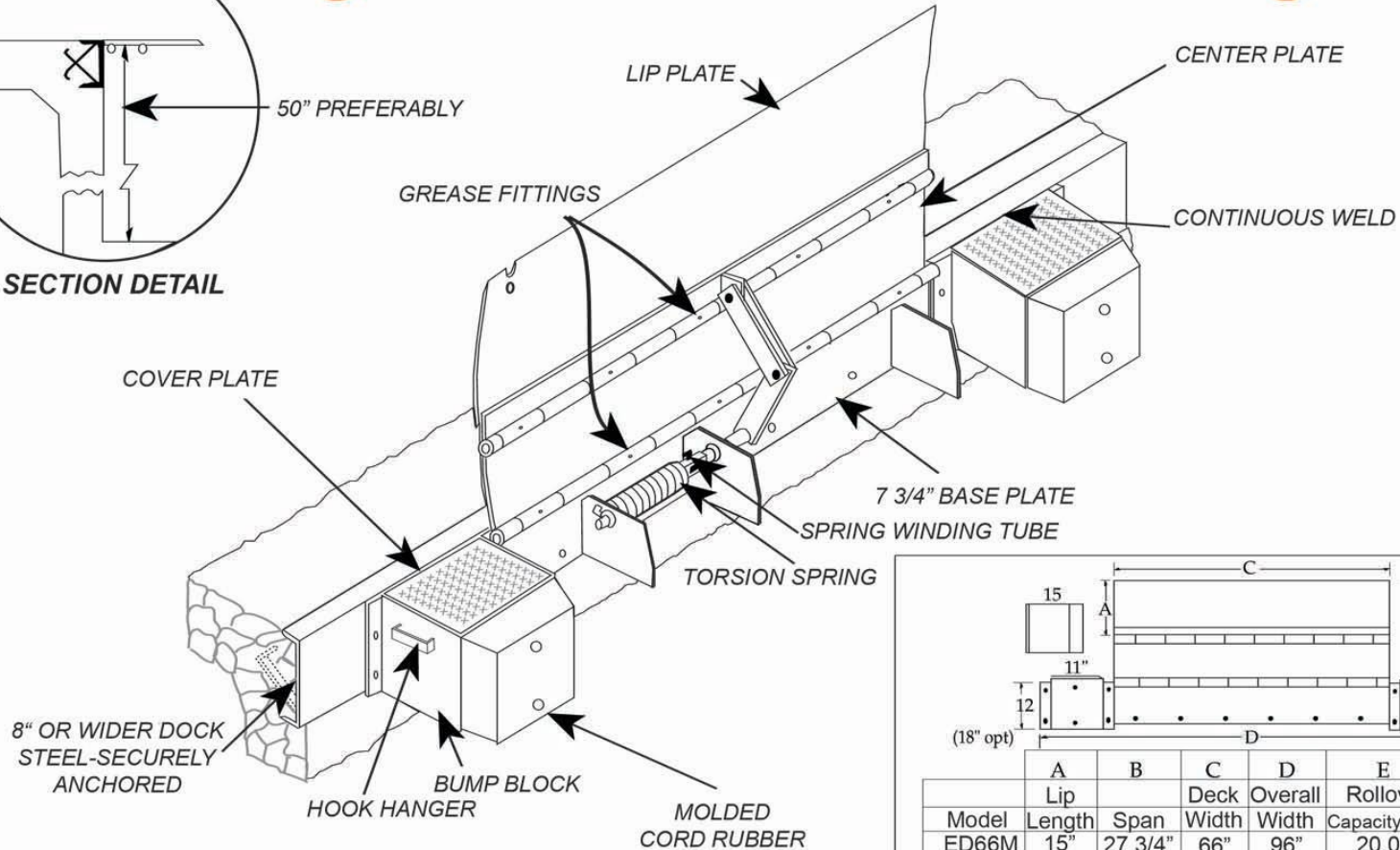


# “Edge of Dock” Submittal Drawing



SECTION DETAIL



**NOTES:** Deck & Lip - 55,000 lb. min. yield steel.  
**30,000 lb Capacity** in stored position. Units include C1045 cold rolled 11/16" rod and cold drawn seamless tubing (1-1/4" OD, 5/16" wall).

	A	B	C	D	E	F
	Lip	Span	Deck	Overall	Rollover	Plate
Model	Length	Span	Width	Width	Capacity Lbs.	Thickness
ED66M	15"	27 3/4"	66"	96"	20,000	3/8"
ED66MH	15"	27 3/4"	66"	96"	25,000	7/16"
ED66M-17	17"	29 3/4"	66"	96"	20,000	3/8"
ED72M	15"	27 3/4"	72"	102"	20,000	3/8"
ED78M	15"	27 3/4"	78"	108"	20,000	3/8"
ED84M	15"	27 3/4"	84"	114"	20,000	3/8"

**SPECIFY JOB REQUIREMENTS FROM**

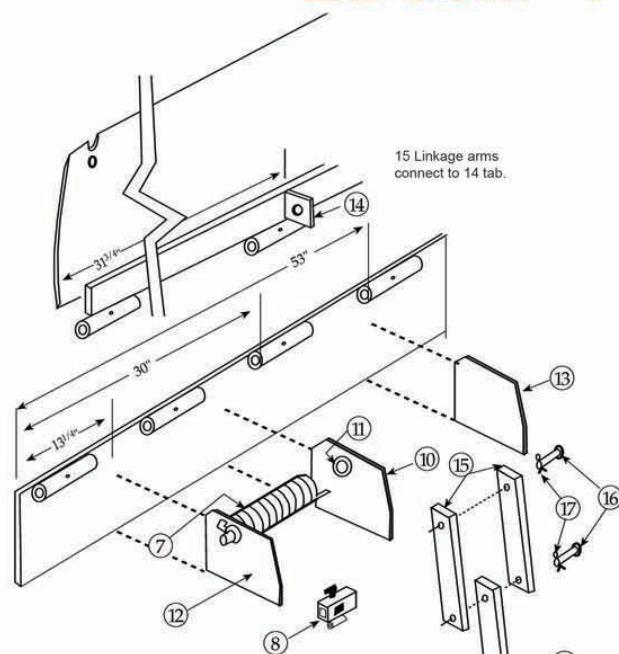
**Rotary Products Inc.**

202 East High St. PO Box 370 Ashley Ohio, 43003  
 Phone #: 1-800-457-5251 Fax #: 740-747-2188



**JOB**

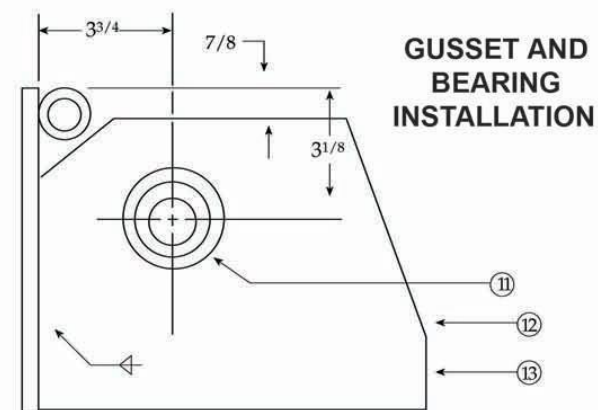
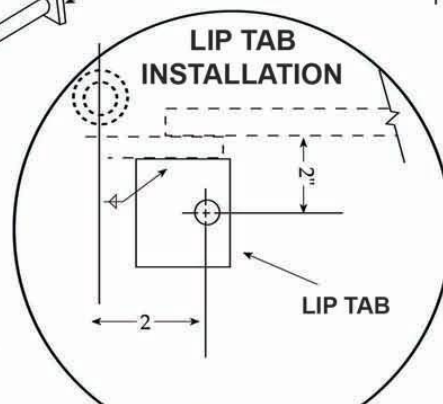
# "ED66M" Adaptor Kit Assembly



## ADAPTOR KIT ASSEMBLY ED66M

ED66M Kit, Part #192, consists of the following:

ITEM	DESCRIPTION
7	TorsionSpring
8	Spring winding tube assembly
9	Torsion arm & linkage assembly
10	Gusset with bearing
11	Bearing, torsion arm
12	Gusset with retainer
13	Gusset
14	Lip linkage tab
15	Lip linkage arms (2 ea. req.)
16	Linkage pins (2 ea. req.)
17	Cotter Keys (2 ea. req.)



**Rotary Products Inc.**

202 East High St. PO Box 370 Ashley Ohio, 43003  
Phone #: 1-800-457-5251 Fax #: 740-747-2188

