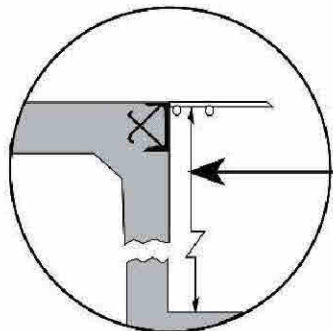
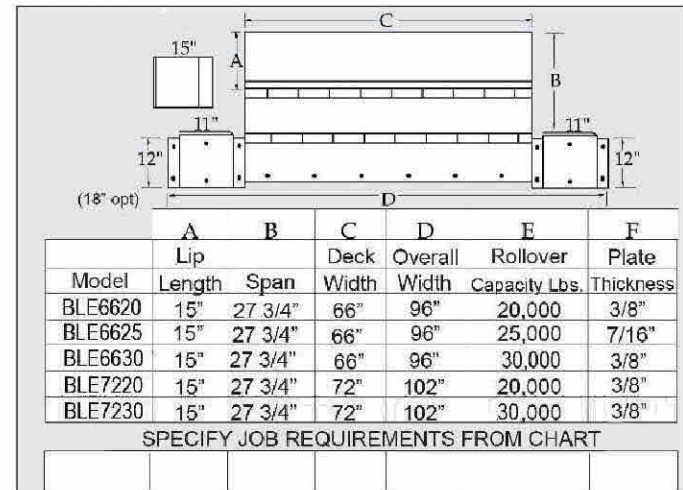
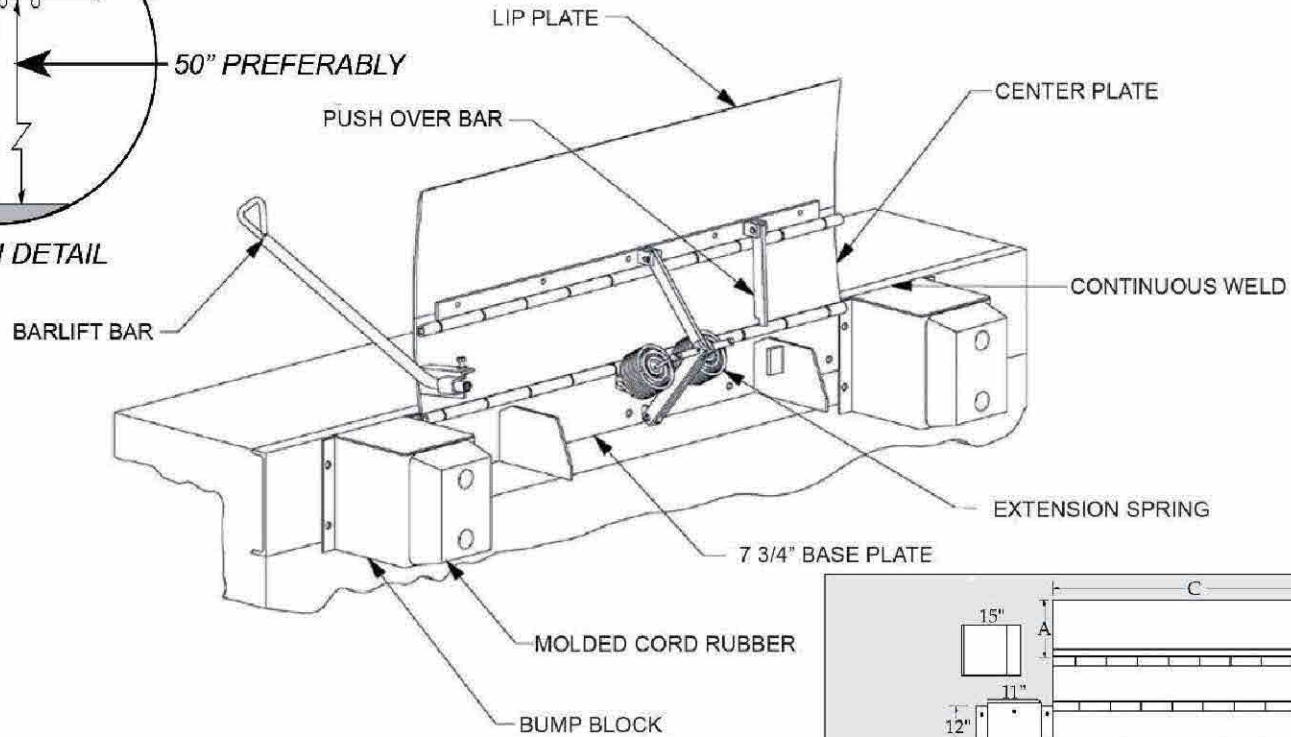


# BLE Submittal Drawing



SECTION DETAIL



Notes: Deck & Lip - 55,000 min. yield steel

**Rotary Products Inc.**

202 East High St. PO Box 370 Ashley Ohio, 43003  
 Phone #: 1-800-457-5251 Fax #: 740-747-2188



**JOB**