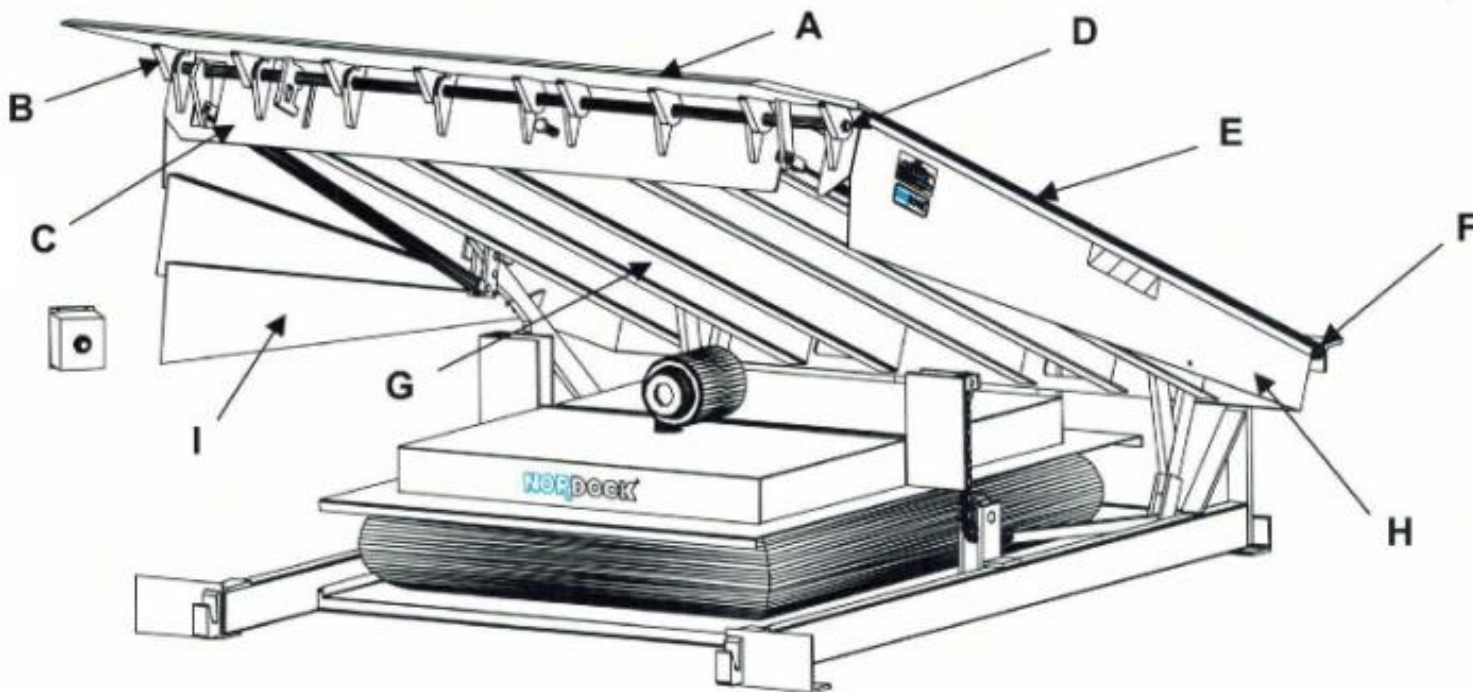


**NORDOCK INC.**  
**AIRDOCK™ SERIES DOCKLEVELER**  
**25,000 - 50,000 LB. CAPACITY**  
**WITH PATENTED NEXT GENERATION**  
**AIR™ TECHNOLOGY**

**NORDOCK®**

STANDARD FEATURES

- Fully Protected Single-Chamber™ Balanced Air Bag Activation System
- Exclusive Lip Lug and Header Plate Design With Self Cleaning Feature
- Additional Center Deck Reinforcement
- Continuous Smooth Transition Full Width Rear Hinge With No Gap
- Integral Lip & Deck Maintenance Supports
- Auto-Descent Lip™ Extension
- Zinc Plated Front & Rear Hinge Rods
- Dual Side 33% Deck to Beam Weld Pattern
- Six Solid Steel Rear Frame Supports
- Full Range Telescoping Side Guards
- Self Contained 115 Volt Fan System
- Single Push Button Activation
- 16" Lip, (18" & 20" Available)
- 10-Year Structural & 5-Year Lift Activation Warranty
- Security Night Locks



MATERIAL SPECIFICATIONS

- |   |   |
|---|---|
| <ul style="list-style-type: none"> <li>A. 50 KSI TREAD PLATE LIP</li> <li>B. 50 KSI SELF CLEANING LIP LUGS</li> <li>C. 8" HIGH FRONT HEADER PLATE</li> <li>D. 1" ZINC PLATED S.A.E. 1045 LIP HINGE ROD</li> <li>E. 50 KSI TREAD PLATE DECK</li> </ul> | <ul style="list-style-type: none"> <li>F. 7/8" PLATED S.A.E. 1045 FULL WIDTH REAR HINGE ROD</li> <li>G. 6" HIGH 50 KSI BEAMS WITH 2" TOP AND BOTTOM FLANGES</li> <li>H. 10ga WELDED SIDE GUARDS</li> <li>I. FULL RANGE TELESCOPING SIDE GUARDS</li> </ul> |
|---|---|

**Rotary Products Inc.**

202 E. High St. PO Box 370  
 Ashley, OH 43003  
 PH: 800-457-5251 F: 740-747-2188  
 E: Sales@RotaryProductsInc.com  
 www.RotaryProductsInc.com

