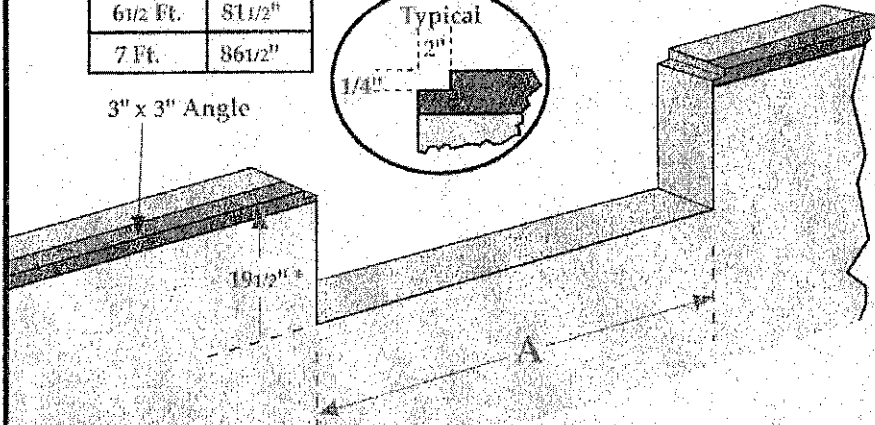
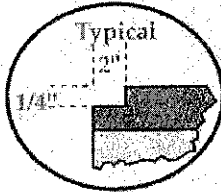


# PAN INSTALLATION INSTRUCTIONS

## STEP 1

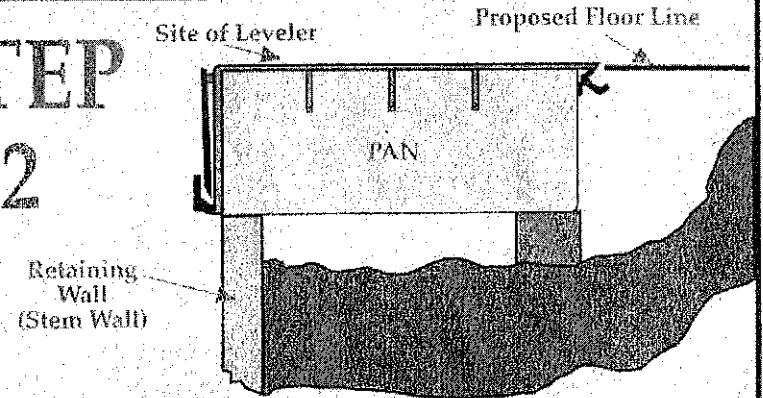
LEVELER WIDTH	A
6 Ft.	75 1/2"
6 1/2 Ft.	81 1/2"
7 Ft.	86 1/2"



Leave Opening In Stem Wall For Appropriate Leveler Width (See Chart Above).

\*NOTE: 10 ft. Levelers Require 24 1/2" Deep Opening.

## STEP 2

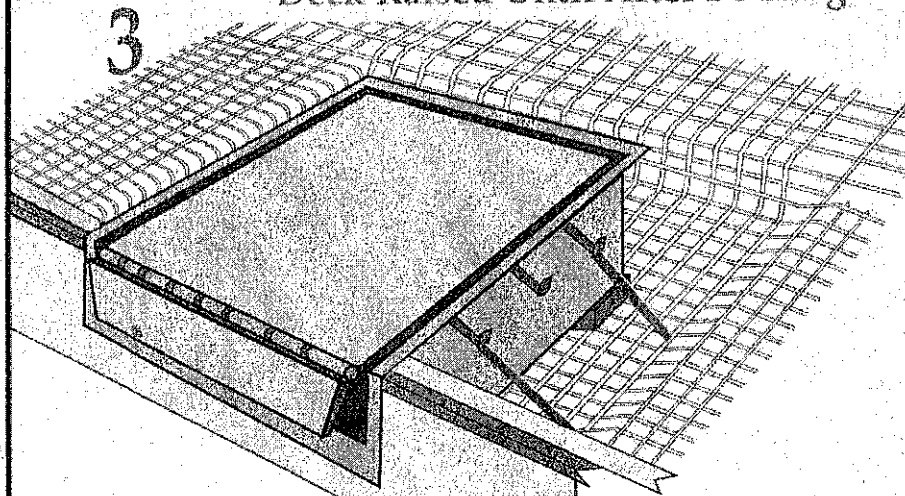


Level Pan Angle With Floor Line By Using Brick or Concrete Supports, Pitch Forward 1/2 inch For Drainage.

## STEP 3

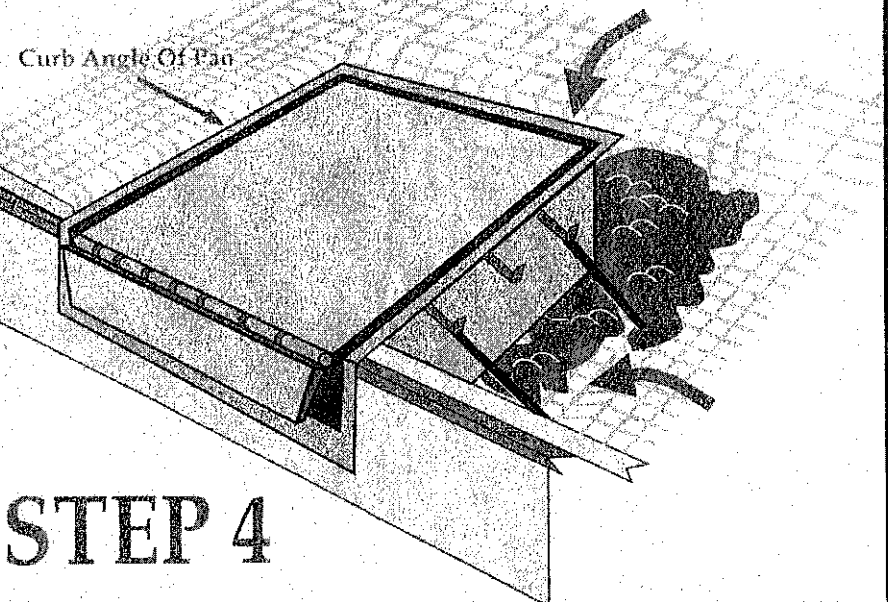
### IMPORTANT

Leveler Should Not Be Unstrapped Or Deck Raised Until After Pouring.



Tie Down Pan With Re-Bar To Prevent Any Shifting While Making Initial Pour.

1. Anchor With Initial Pour Around And Under Leveler(s) Insuring Solid Pit Floor.
2. Pour Floor Section And Finish To Curb Angle Of Pan.



## STEP 4